

Sena Plastics Butterfly Valves

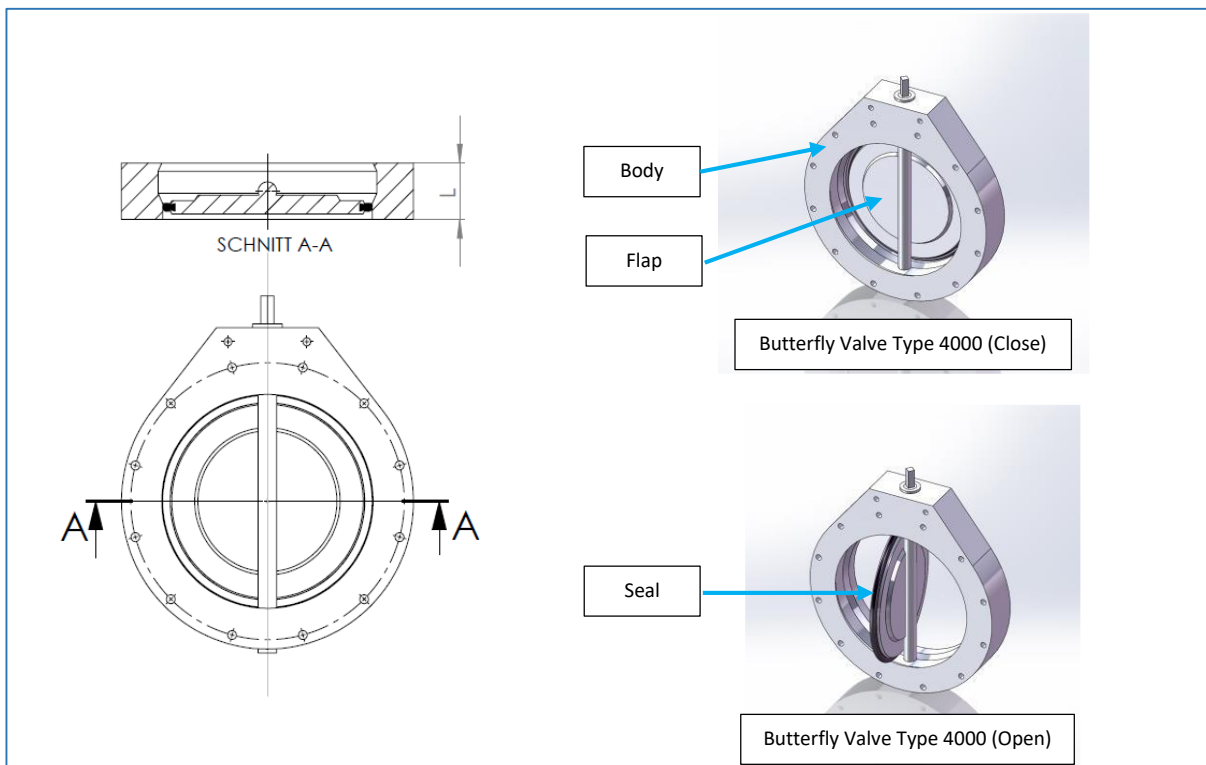
On demand our products can be adapted to your needs. Please, don't hesitate to ask.

Series 4000

Butterfly Valve / Damper with lip seal. Valve for shut-off and control tasks in exhaust air or process gas lines where very good airtightness is required. Airtightness 99.9%. Maximum operating temperature 180°C. For this series the range of application goes from **DN100** to **DN500**.

Execution in: PVC – PP-H – PE – PVDF – PE-el – PVDF

Seal material: EPDM – FPM (Viton®) – FFKM (Kalrez®) – FEP – E-CTFE (Halar®).



Flanges Connections:

- DIN / ANSI / JIS / ASME ...
- PN 6 / PN 10 / ...
- According to your own dimensions

Actuator:

- Manual
- Electrical
- Pneumatic

Application:

Damper for shut-off and control tasks in exhaust ducts.
On demand it can be used up to ± 5000 mmH₂O (500 mbar).
 Complete tightness. (99.9%)

Dimensions:

DN	100	125	150	180	200	225	250	280	300	350	400	450	500
Length	60	60	60	60	60	60	60	60	70	70	70	70	70

Special order on request



DN450 PN10

Material : Polypropylene Homopolymer
 Seal (Flap) : FPM (Viton®)
 Gasket (Flanges) : FPM (Viton®)
 Actuator : Pneumatic
 Option : Position Regulator
 Specifications : Fail Open



DN500 PN10

Material : Polypropylene Homopolymer
 Seal (Flap) : FPM (Viton®)
 Gasket (Flanges) : FPM (Viton®)
 Actuator : Pneumatic
 Option : Position Regulator
 Specifications : Fail Close



DN200 PN6

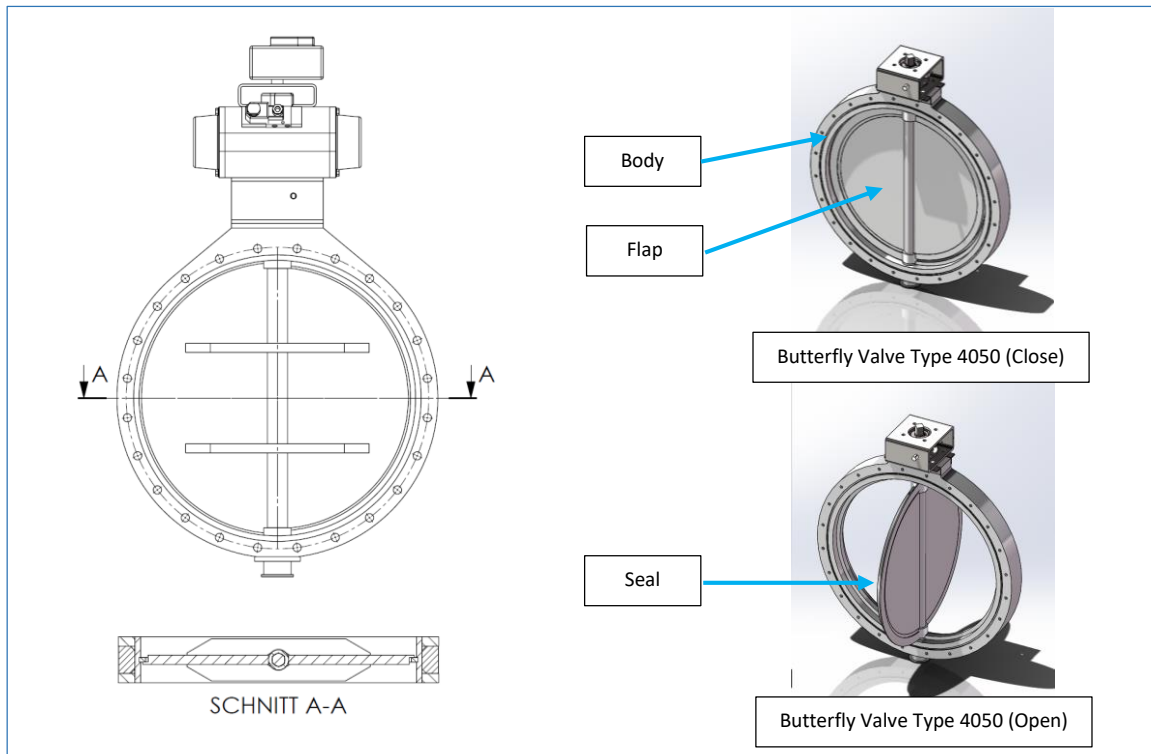
Material : PVC (Polyvinyl chloride)
 Seal (Flap) : EPDM
 Gasket (Flanges) : EPDM
 Actuator : Manual
 Option :
 Specifications : ...

Series 4050

Shut-off and control valve with stop bar. Valve for shut-off and control tasks in exhaust air or process gas lines. Airtightness 99%. Maximum operating temperature 900°C. For this series, the range of application goes from **DN300** to **DN3000**.

Execution in: PVC – PP-H – PE – PVDF – PE-el – PVDF – FRP – STEEL – STAINLESS STEEL –

Larger dimensions and designs available on request.



Flanges Connections:

- DIN / ANSI / JIS / ASME ...
- PN 6 / PN 10 / ...
- According to your own dimensions

Actuator:

- Manual
- Electrical
- Pneumatic

Application:

Damper for shut-off and control tasks in exhaust ducts.
Not absolutely tight closing
On demand it can be used up to ± 5000 mmH₂O (500 mbar).
Low Leakage Rate. (<1%)

Dimensions:

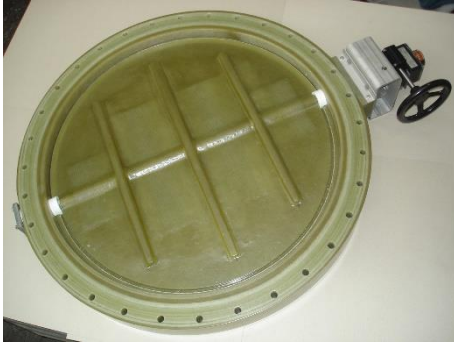
DN	300	350	400	450	500	600	700	800	900	1000	1100
Length	60	60	75	75	75	100	100	100	100	100	120
DN	1200	1300	1400	1500	1600	1800	2000	2200	2500	3000	---
Length	120	120	140	140	160	160	160	200	200	250	---

Special order on request



DN400 PN10

Material : Polypropylene Homopolymer
Gasket (Stuffing Box): PTFE
Actuator : Pneumatic
Option : Position Sensor
Specifications : Fail Open



DN800 PN6

Material : FRP Fiber Reinforced Plastic
Gasket (Stuffing Box): PTFE
Actuator : Manual
Option : Position indicator
Specifications : Fail Close



DN1800 PN10

Material : Steel + E-CTFE
Gasket (Stuffing Box) : PTFE
Actuator : Electrical
Option : Position Sensor
Specifications : Fail Close



DN500 PN10

Material : Stainless Steel
Gasket (Stuffing Box) : PTFE
Actuator : no specified
Option : no flexibility on the flap stop*
Specifications : Fail Close

*On demand, the replacement of the flap rigid stop by a flexible one allows to guarantee a better support a slight flexibility and a better sealing.

Rectangular design

In order to respond to all types of piping, the company Sena Plastics can offer square or rectangular valves. With a wide choice of materials, it is possible to meet every specific need.



DN1500 x 600

Material : Polypropylene Homopolymer
Gasket (Stuffing Box) : PTFE
Actuator : no specified
Option : /
Specifications : Fail Close



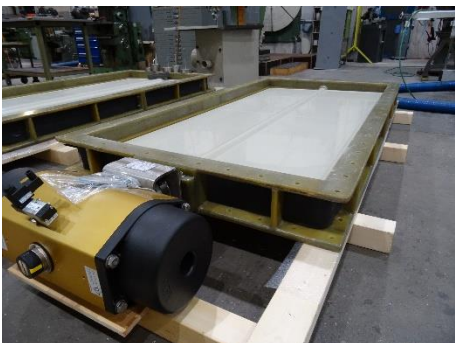
DN 1600 x 600

Material : FRP Fiber Reinforced Plastic
Gasket (Stuffing Box) : PTFE
Actuator : no specified
Option : Insulating material
Specifications : Fail Close



DN 1500 x 1500

Material : Steel + Polypropylene
Homopolymer Lining
Gasket (Stuffing Box) : PTFE
Actuator : Pneumatic
Option : Position Sensor
Specifications : Fail Close



DN1600 x 800

Material : FRP Fiber Reinforced Plastics +
Polypropylene Homopolymer
Gasket (Stuffing Box) : PTFE
Actuator : Pneumatic
Option : Position Sensor
Specifications : Fail Close

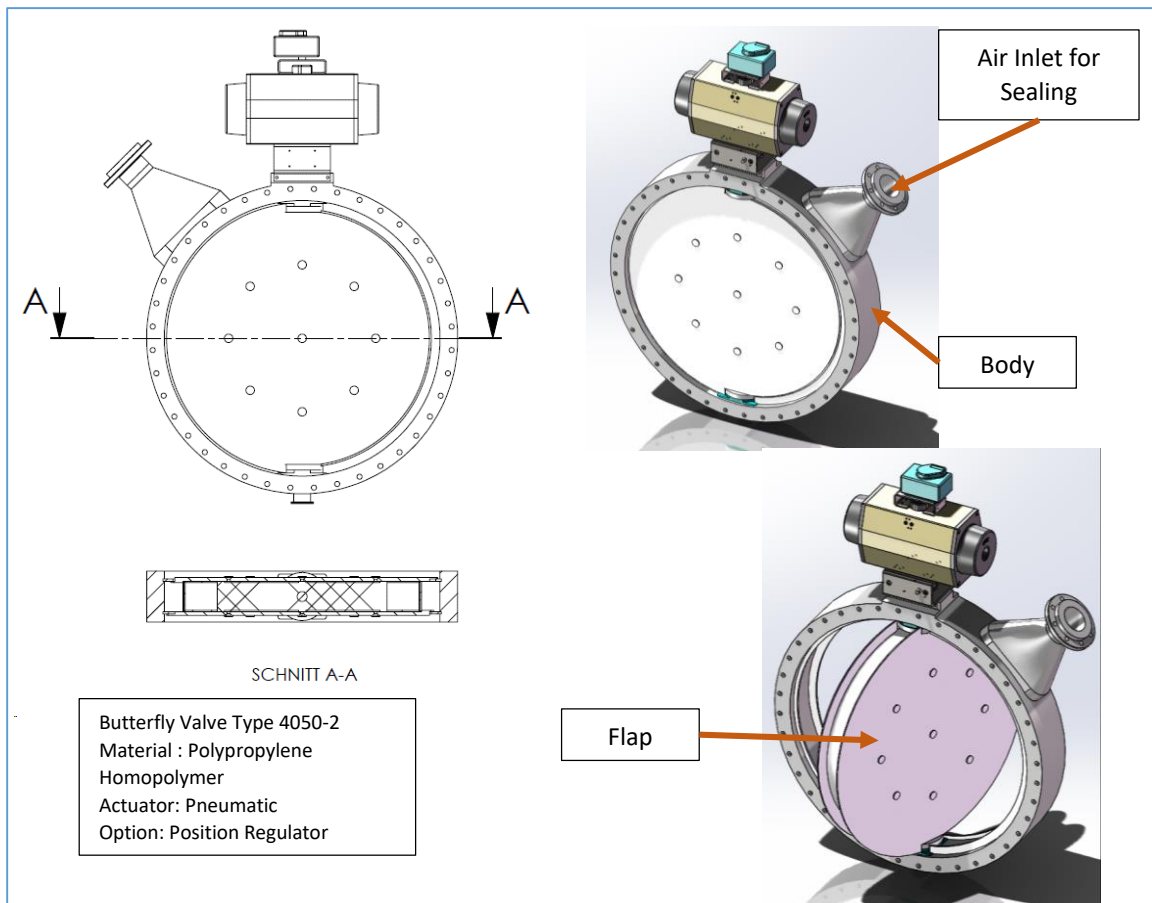
Series 4050-2

Double butterfly valve / damper overlaid with blocking air, fully seal-tight, for shut-off tasks in exhaust air or process gas lines. Airtightness 100%. Maximum operating temperature 900°C.

Execution in: PVC – PP-H – PE – PVDF – PE-el – PVDF – FRP – STEEL – STAINLESS STEEL –

Larger dimensions and designs available on request.

This series is based on the same characteristics as the 4050 series.



Flanges Connections:

- Ventilation standard
- PN 6 / PN 10
- According to your own dimensions

Actuator:

- Manual
- Electrical
- Pneumatic

Application:

Damper for shut-off and control tasks in exhaust ducts.
Complete tightness. (100%)
On demand it can be used up to ± 5000 mmH₂O.

The series 4050-2 is also available for a rectangular design.

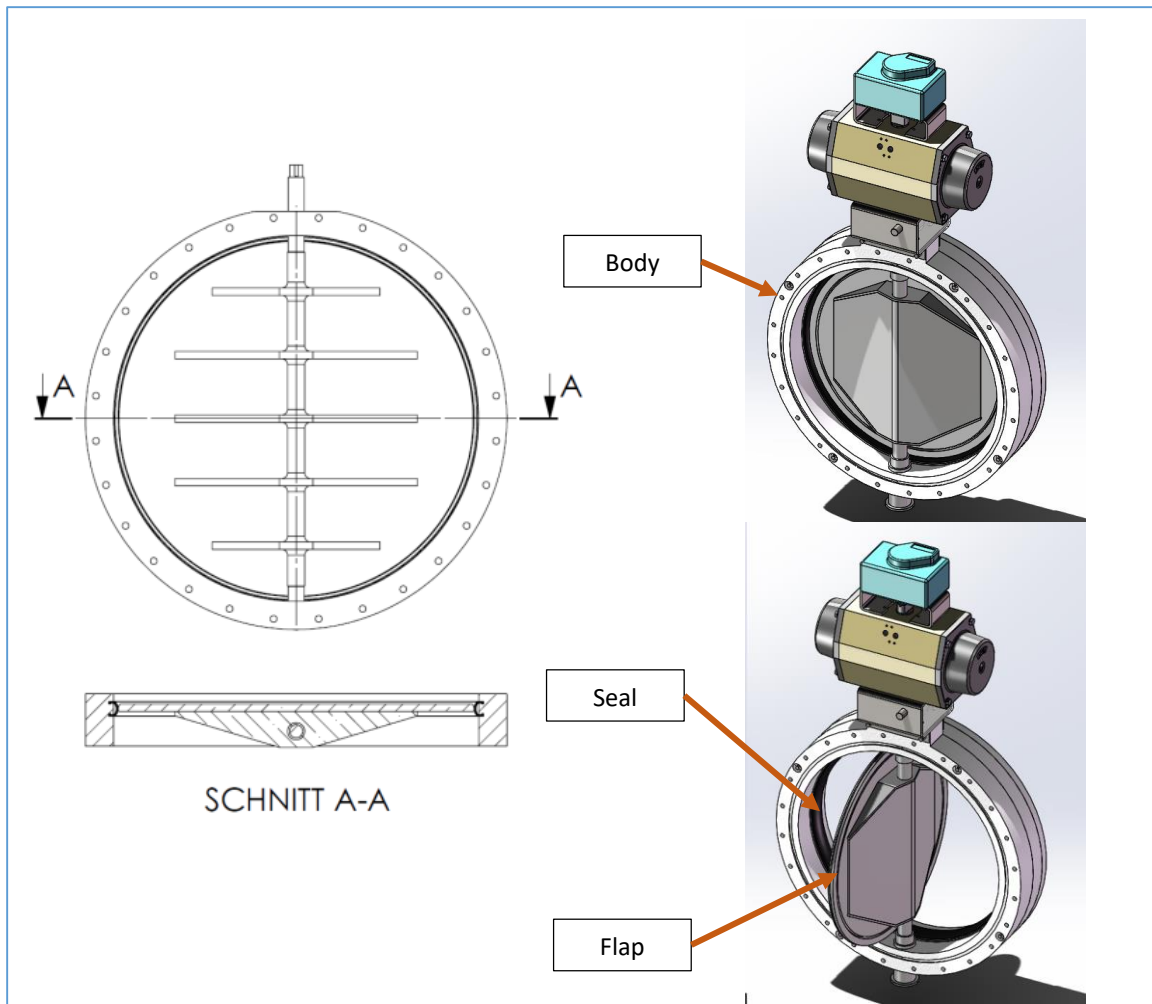
Series 4100

Valve with inflatable seal for all shut-off and control tasks in exhaust air and process gas systems. Completely seal-tight and smooth opening and closing process with pressure / vacuum system. Airtightness 100%. Maximum operating temperature 180°C.

With the pressure-vacuum-system, the flaps are absolutely self-closing and can be opened and closed without friction. Construction materials of all wetted parts according to the requirements. Shaft and valve plates made of steel are lined and tightly welded. The damper housings are made of solid plates or, depending on the nominal width. Execution material of steel lined or executed in the material composite with FRP. Installation between flanges.

TÜV tested, gas-tight in line with EN 12266-1 Part 1, leak rate A.

Execution in: PVC – PP-H – PE – PVDF – PE-el – PVDF – FRP – STEEL – STAINLESS STEEL – HASTELLOY



Flanges Connections:

- Ventilation standard
- PN 6 / PN 10
- According to your own dimensions

Actuator:

- Manual
- Electrical
- Pneumatic

Application:

Damper for shut-off and control tasks in exhaust ducts.
Complete tightness. (100%)
On demand it can be used up to ± 5000 mmH₂O.

Dimensions:

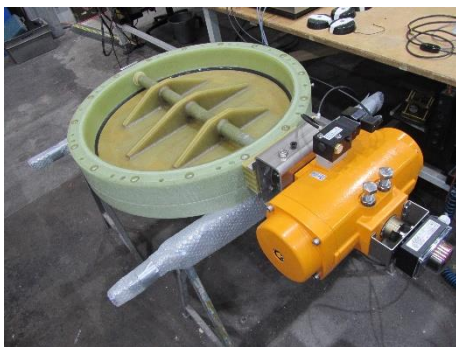
DN	300	350	400	450	500	600	700	800	900	1000	1100
Length	100	100	115	115	115	140	140	140	140	140	160
DN	1200	1300	1400	1500	1600	1800	2000	2200	2500	3000	---
Length	160	160	180	180	180	200	200	220	220	250	---

Special order on request



DN1000 PN6

Material : Polypropylene Homopolymer
Gasket (Stuffing Box) : PTFE
Seal : EPDM
Actuator : Pneumatic + Manual
Option : Steel Flange
Specifications : Fail Close



DN800 PN6

Material : FRP Fiber Reinforced Plastics
Gasket (Stuffing Box) : PTFE
Seal : FPM
Actuator : Pneumatic
Option : Position Sensor Box
Specifications : Fail Close

Specific 4100 Valves



DN2650 x 2000 PN10

Material : FRP Fiber Reinforced Plastics
Gasket (Stuffing Box) : PTFE
Seal : FPM
Actuator : Pneumatic + Manual
Option : 2 Flaps
Specifications : Fail Close



DN1000 PN10

Material : FRP Fiber Reinforced Plastics
Gasket (Stuffing Box) : PTFE
Seal : EPDM
Actuator : Pneumatic
Option : Tubing extension
Specifications : Fail Close



DN1600 PN10

Material : FRP Fiber Reinforced Plastics +
ECTFE Lining
Gasket (Stuffing Box) : PTFE
Seal : FPM
Actuator : Manual
Option : /
Specifications : Fail Close



DN7500 PN6 ATEX

Material : FRP Fiber Reinforced Plastics
Gasket (Stuffing Box) : PTFE
Seal : FPM + PTFE
Actuator : Pneumatic
Option : Hastelloy Flap
Specifications : Fail Close

